

Public



DC Inverter Vehicle Use Air-Conditioning Solution

AVIC ELECTROMECHANICAL (SHENYANG) SANYO REFRIGERATION EQUIPMENT Co., Ltd.

November,2019

A large, semi-transparent watermark of the AVIC logo is positioned in the bottom left corner of the slide. It features the same stylized paper airplane icon and the letters 'AVIC' in a large, bold font.

DC Inverter Vehicle Use Air-Condition-H2400ZBP



● **Brief Introduction :**

Ultra-Slim and light indoor and outdoor unit, can fully reduced the load and fuel consumption during transportation.

All in one integrated patent design, can make sure the strength of the unit.

Elegant and classic design, outstanding capacity.

● **Product Features :**

1、 Ultra-Slim indoor unit with elegant and classic design , conform to the vehicle inner decoration. Fashion LED display, both temperature and mode are clear.

2、 Stylish appearance, streamlined design.

Compact outlines is better integrated with the vehicle body.

3、 Classic back light remote controller, be able to support multiple functions of refrigeration, heating, dehumidification, ventilation, sleep, timing ,etc.

4、 Use three- stage- speed efficient and big diameter fan , with strong wind and low noise.

Condensing fan use big diameter and high efficiency fan for air suction and heat exchange , can ensure the efficiency and sufficient capacity. Have unique structure that ensure the concentric.(Patent)

5、 Condensing fan grille and roof integrated design owns concise beauty and safety. The integrated design of chassis and water collector greatly increases the strength of the unit .(Patent)

6、 Totally new insulated spiral expansion air duct, can completely avoid the condensation. no need to extra adjust and easy to install.(Patent).

7、 Intelligent defrost , outstanding performance under $-5^{\circ}\text{C} \sim 50^{\circ}\text{C}$ and can make sure of the reliability.

8、 Use high strength composite material , resistant to corrosion and vibration . Ultra-Slim and Ultra-light design.

Product Drawing Reference



Product
Drawing for
Reference



Technical Data
for Reference

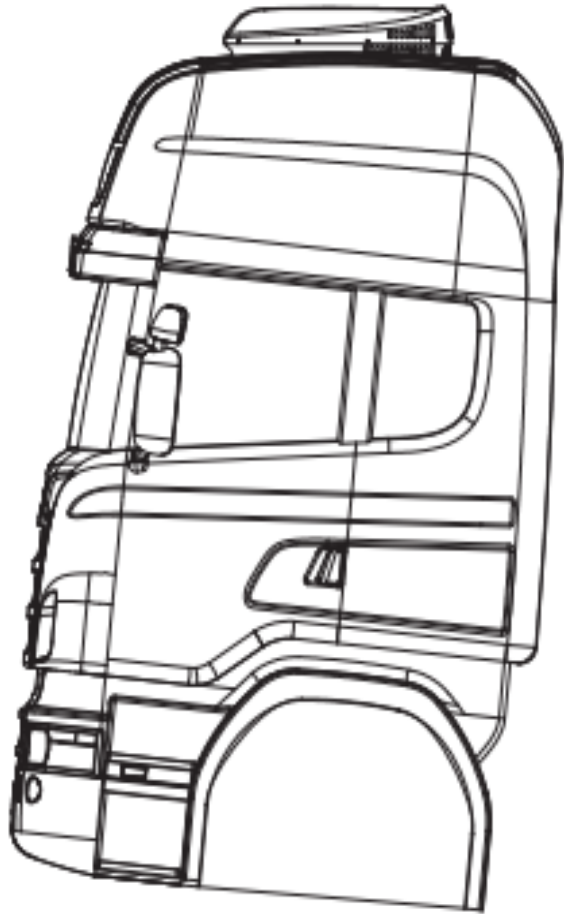
Voltage	24VDC
Cooling Capacity for Estimate (W)	2400
Rated Current (A)	31
Rated Power (W)	750
Refrigerant	R134a
Control Method	Remote control

Maximum Air Volume	400
Out-door Unit Weight (kg)	29
In-door Unit Weight (kg)	2.8
Roof Opening Size (mm)	360x360/ 400x400 (Optional)
Out-door Unit Dimension (Length x Width x Height/mm)	1002x567x215
In-door Unit Dimension (Length x Width x Height/mm)	557x536x43

Truck Installation Sketch



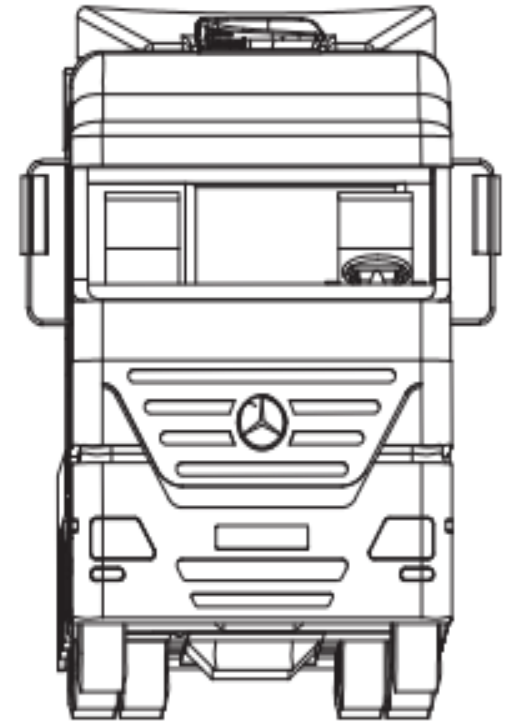
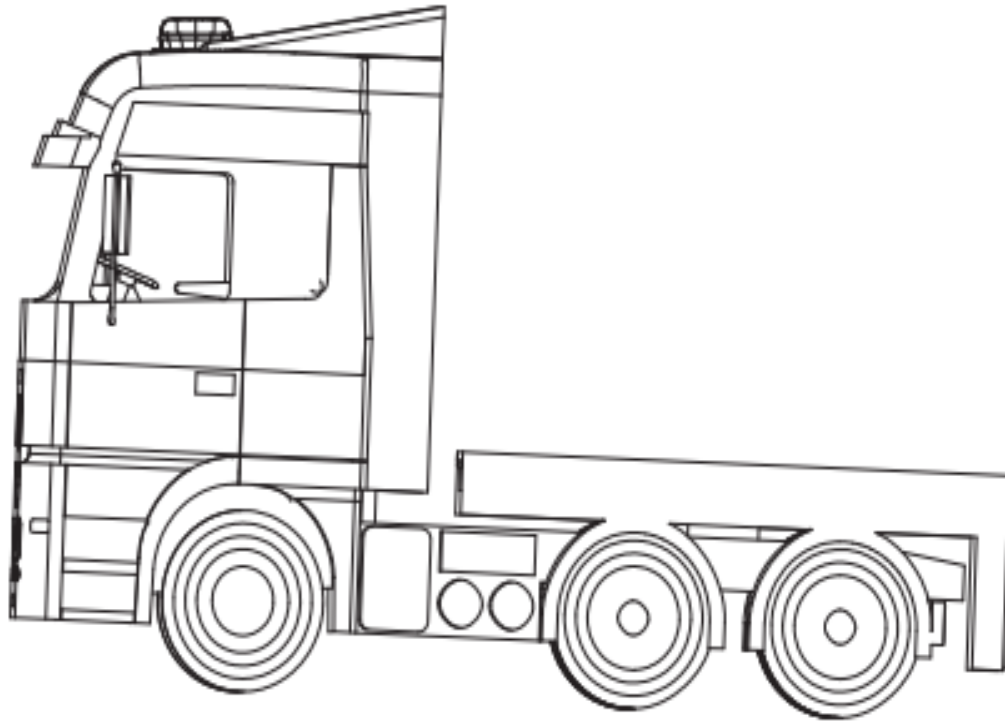
Truck Installation Plan



Truck Installation Sketch



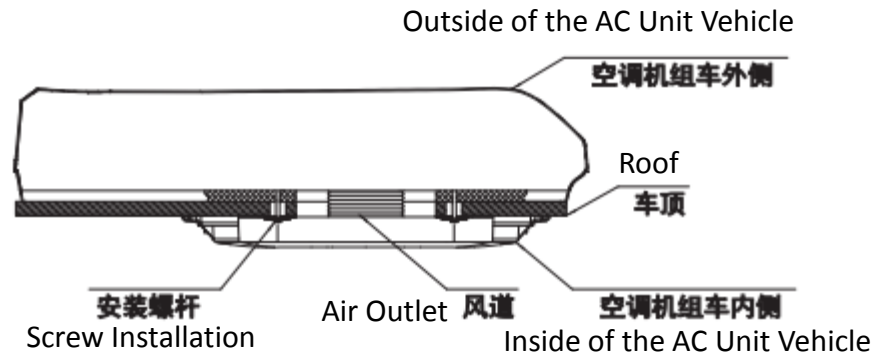
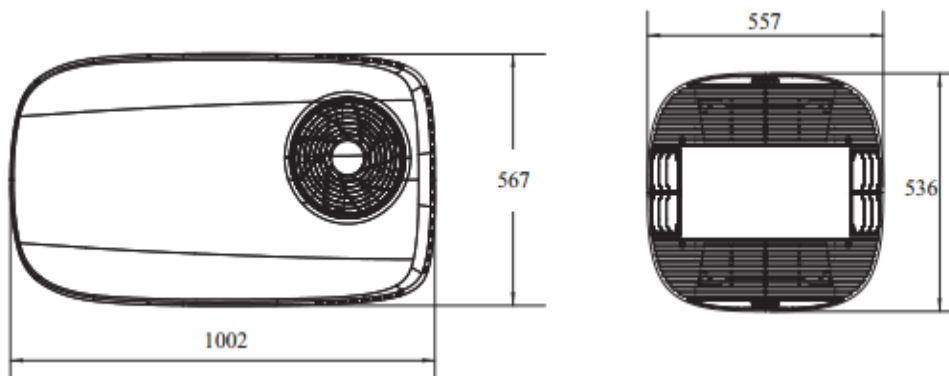
Truck Installation Plan



AC Unit Installation Detailed Drawing

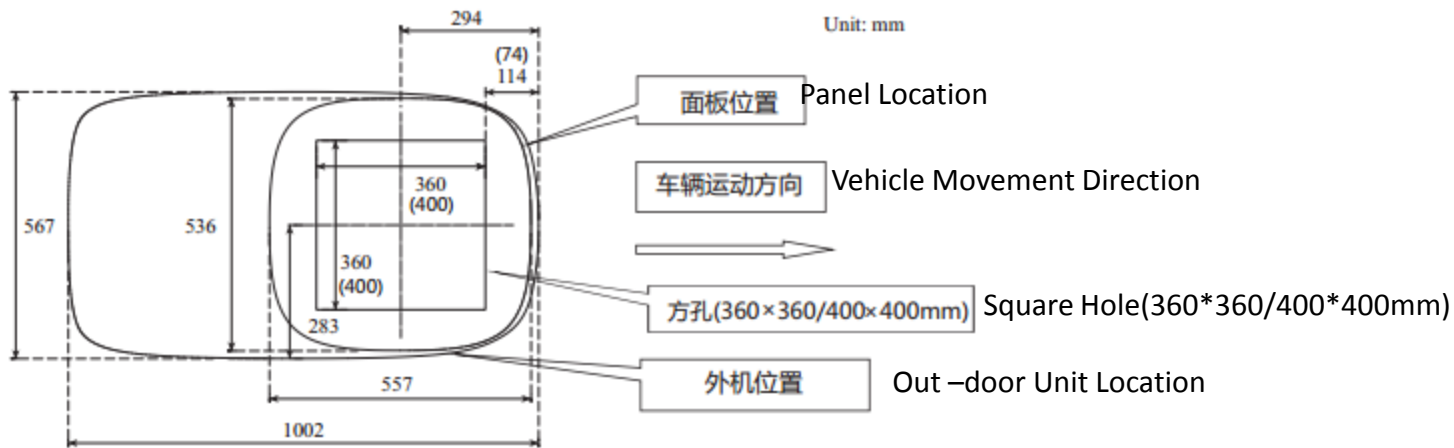


AC Unit Dimension Drawing



Inside and Outside Installation Drawing

Roof Opening and Installation Drawing



Obrigado pela atenção



AVIC